



METAL TUBE FANS ROPERA

PRODUCT FACTS

- Air flow up to 0.37 m³/s
- Static pressures up to 600 Pa
- Casing - galvanized sheet steel
- Backward curved impeller
- Easy electrical connection via terminal box
- Insulation class F
- Motor protection by thermal contacts
- Suitable for mounting in all positions

ELECTRICAL SUPPLY

220-240V/50Hz/1φ

TEMPERATURE RANGE

Up to 70°C depending on size, see electrical data table on next page for more information.

SIZES

100, 125, 150, 160, 200, 250 & 315 mm

FEATURES AND CONSTRUCTION

Casings are manufactured from galvanized sheet steel. Each centrifugal impeller is driven by an external rotor motor, which has an IP44/54 protection class.

INSTALLATION

Rigid folded spiral-seam ducts (Spiro), flexible aluminium or plastic ducts with standardised diameter can be same or plastic.

WIRING

Insulation class F with additional moisture impregnation protection and thermal contacts which are connected in series with the windings of the motor.

SPEED CONTROLLERS

Speed is 100% infinitely variable using auto transformers or electronic control.



PRODUCT CODE

ROPERA 100 (L)

ROPERA = Product Name

- 100 = Diameter size (mm)
- L = (Motor option/variant)

ACCESSORIES (Pages 238-248) - CONTROLLERS (Pages 249-297)

The range of accessories include duct clamps, filters, guards, dampers, silencers, mounting brackets, shutters. A quick reference guide is shown below.



CFC



BDS



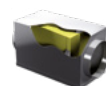
FLS



BDER



MF



CFB



CIG



Controls
Electric

PERFORMANCE & ELECTRICAL DATA

220-240V/50HZ/1 ϕ



PERFORMANCE TABLE

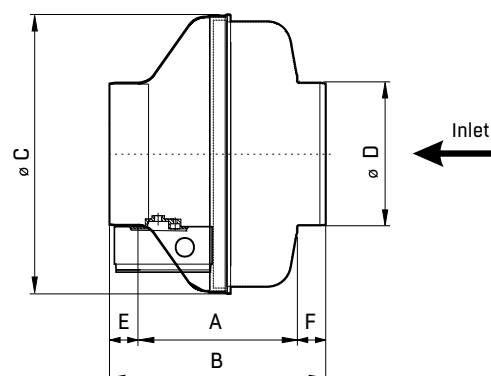
Product Code	m ³ /s @ Pa (Static)											
	0	50	100	150	200	250	300	350	400	450	500	550
ROPERA 100	0.05	0.03	0.02									
ROPERA 125	0.07	0.05	0.03	0.01								
ROPERA 150L	0.14	0.12	0.11	0.09	0.07	0.04	0.02					
ROPERA 160L	0.24	0.22	0.19	0.16	0.13	0.1	0.08	0.05				
ROPERA 200	0.22	0.2	0.18	0.16	0.13	0.11	0.08	0.06	0.03			
ROPERA 250L.3DF	0.26	0.24	0.22	0.2	0.17	0.15	0.11	0.08	0.04			
ROPERA 315 M.3EF	0.37	0.35	0.33	0.32	0.29	0.27	0.25	0.22	0.19	0.15	0.09	0.03

PRODUCT AND ELECTRICAL DETAILS

Product Code	Product Number	Speed rpm	Motor Frame	IP Rating	Electrical Current			Wiring Diagrams	**Speed Controllers	Maximum Operating Temp°C	Breakout *Sound Level db(A) (3m)
					Motor (kW)	Full Load Current (A)	Starting Current (A)		Electronic		
ROPERA 100	TF100010	2470	Integral	IP44	0.028	0.1	1.9A	CD3004	EEID 1.5	70	18
ROPERA 125	TF125010	2480	Integral	IP44	0.028	0.1	2.0A	CD3004	EEID 1.5	70	19
ROPERA 150L	TF150015	2520	Integral	IP44	0.11	0.47	0.71	CD3004	EEID 1.5	60	33
ROPERA 160L	TF160015	2500	Integral	IP44	0.11	0.47	0.71	CD3004	EEID 1.5	60	32
ROPERA 200	TF200015	2410	Integral	IP44	0.12	0.5	0.75	CD3004	EEID 1.5	70	31
ROPERA 250L.3DF	TF250013	2470	Integral	IP44	0.165	0.53	0.9	CD3004	EEID 1.5	70	31
ROPERA 315 M.3EF	TF315014	2440	Integral	IP44	0.2	0.9	2.2	CD3004	EEID 1.5	70	33

DRAWING AND DIMENSIONS

Product Code	A	B	C	D	E	F	Weight Kg
ROPERA 100	136	186	242	100	25	25	2.6
ROPERA 125	140	190	242	125	25	25	2.6
ROPERA 150L	140	190	341	150	25	25	3.7
ROPERA 160L	195	245	341	160	25	25	3.4
ROPERA 200	180	230	341	200	25	25	3.7
ROPERA 250L.3DF	180	230	341	250	30	30	5.5
ROPERA 315 M.3EF	195	255	402	315	30	30	5.8



*Sound power levels are average dBA at 3 metres distance over sphere, under free field conditions and are presented for comparative purposes only. Values shown are those at the mid-point of the performance curve.

For ErP efficiency ratings and grades please refer to our Fan Selector for more information.

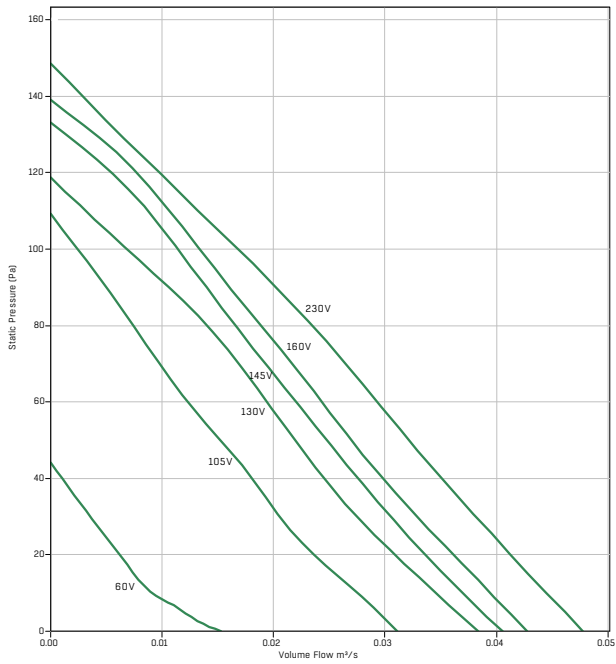
Products in **bold** are available from our UK Distributors on next day delivery, if ordered by 4pm. Please call to confirm availability on 01206 222 580.



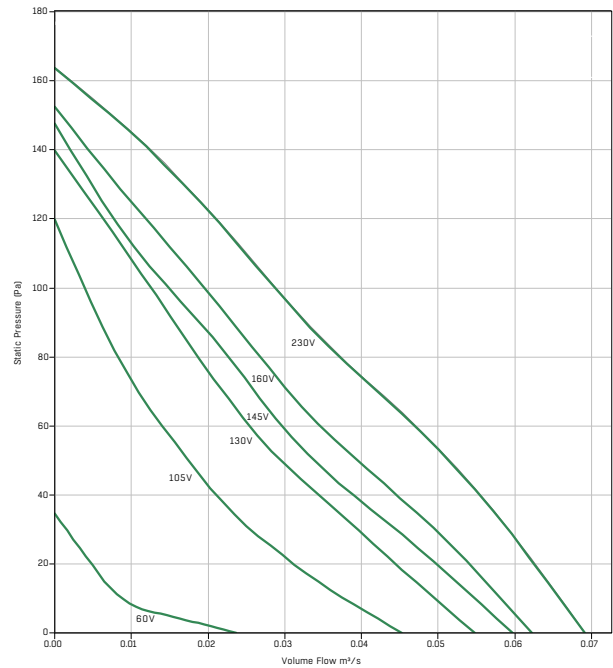


PERFORMANCE CHART

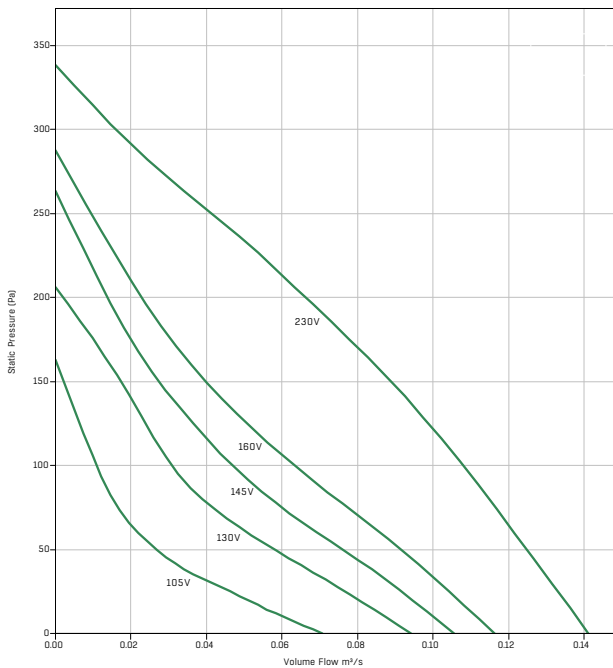
ROPERA - 100 - TF100010



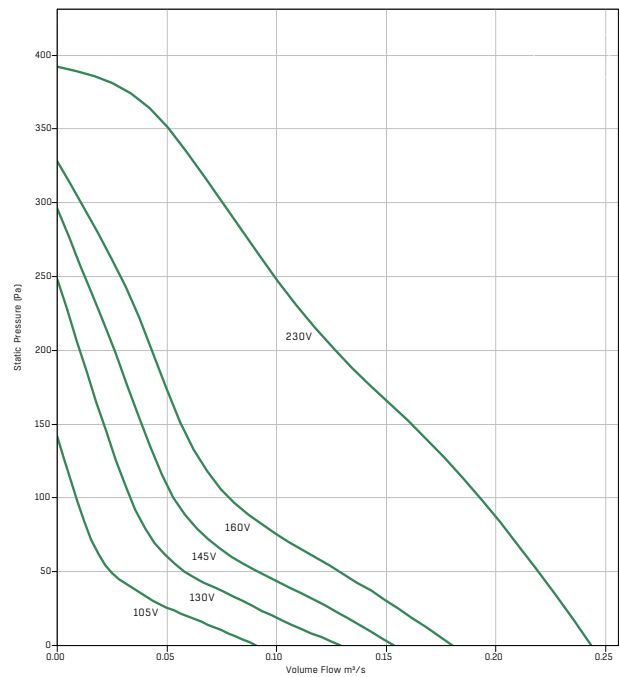
ROPERA - 125 - TF125010



ROPERA - 150L - TF150015

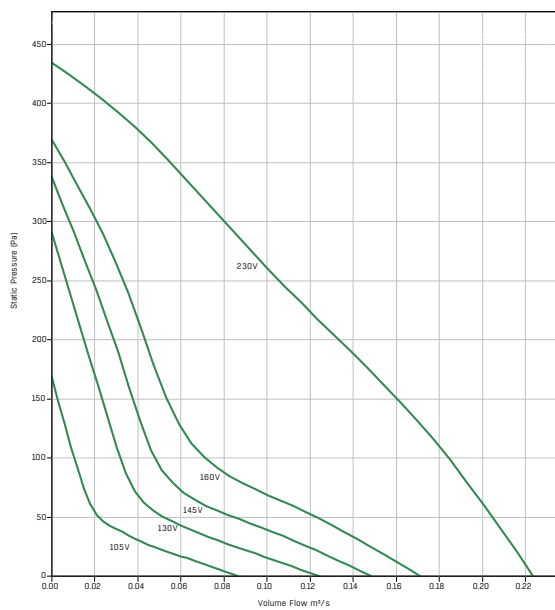


ROPERA - 160L - TF160015

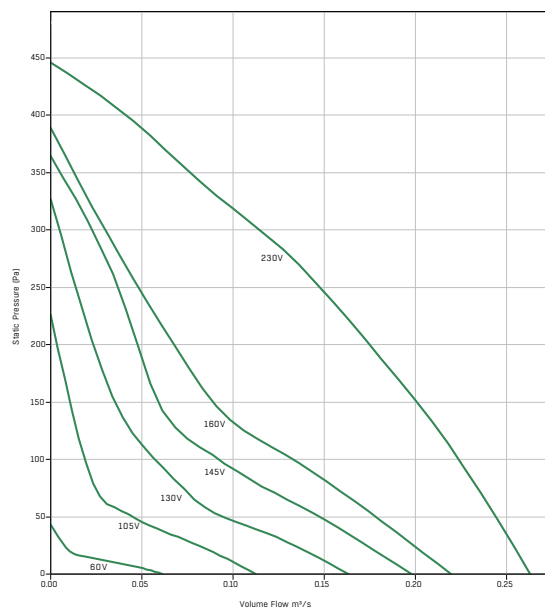


PERFORMANCE CHARTS

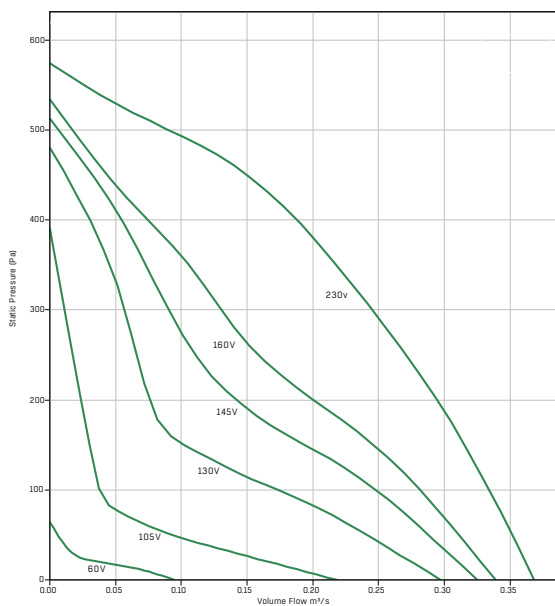
ROPERA - 200 - TF200015



ROPERA - 250L.3DF - TF250013



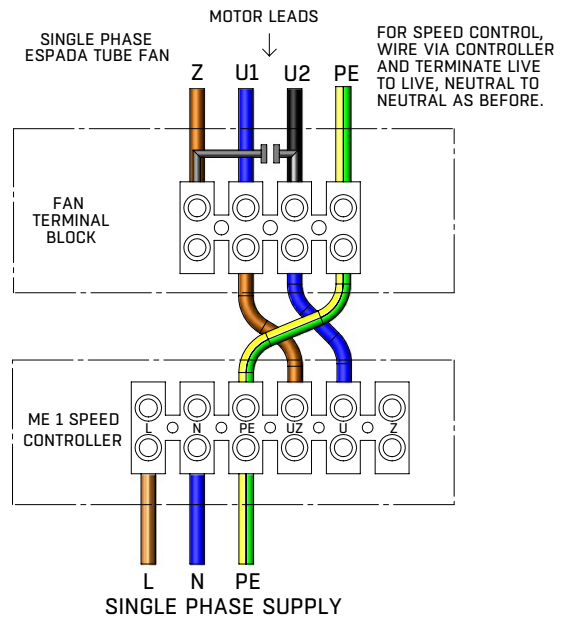
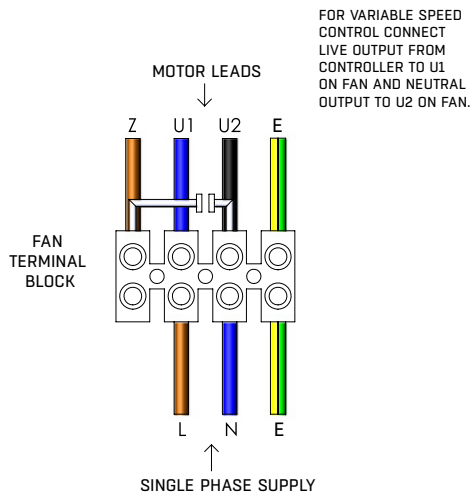
ROPERA - 315 M.3EF - TF315014





WIRING DIAGRAM - ROPERA

CD3004



AIRTREND Ltd. - KOVENT D.O.O.
 Kumanovska 14
 11000 Beograd
 Tel. 011 383 68 86, 308 57 40
 Faks 011 344 41 13
 E-mail: gobrid@eunet.rs, office@kovent.rs
www.airtrend.rs, www.kovent.rs